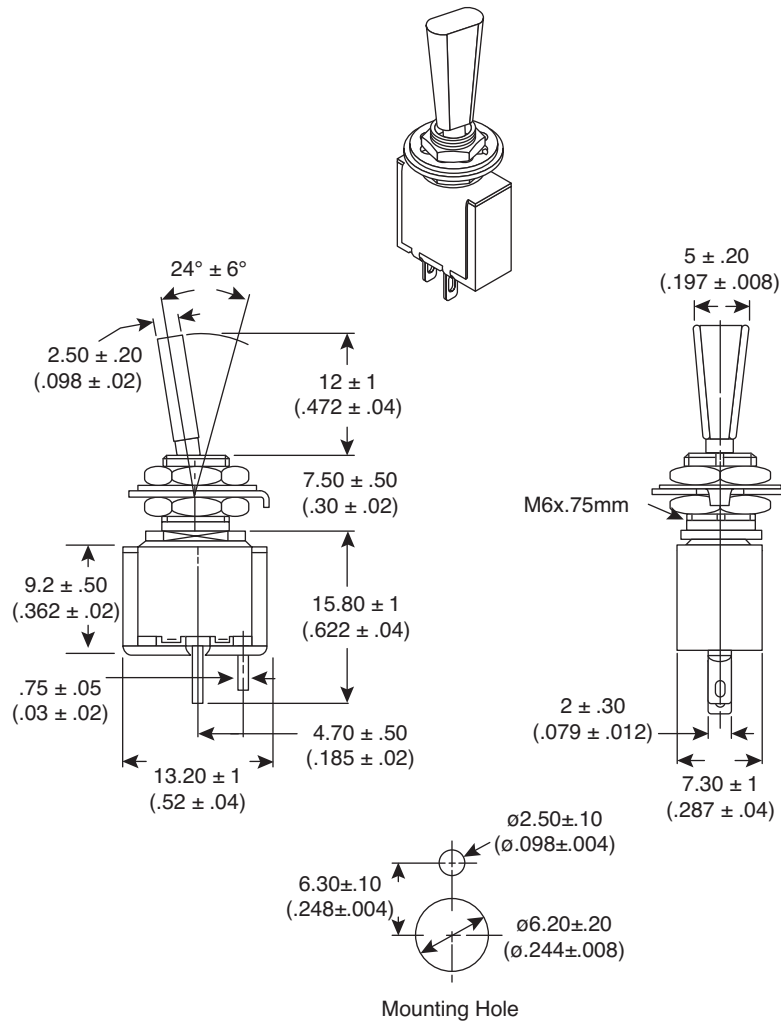


Dimensions: mm (in.)



Electrical Specifications:

- Rating: 6A/125VAC, 3A/250VAC
- Contact resistance: 50mΩ max
- Insulation resistance: 500VDC 100MΩ min
- Dielectric strength: 1000VAC for 1 minute
- Electrical life: 10,000 cycles

Mechanical Specifications:

- Mechanical life: 100,000 cycles
- Operating temperature: $-20^\circ\text{C} \sim +65^\circ\text{C}$
- Circuit: 2P SPST On-Off

Note:

- RoHS Compliant by Exemption

Miniature Toggle Switch
1055-TA2120B-EVX

